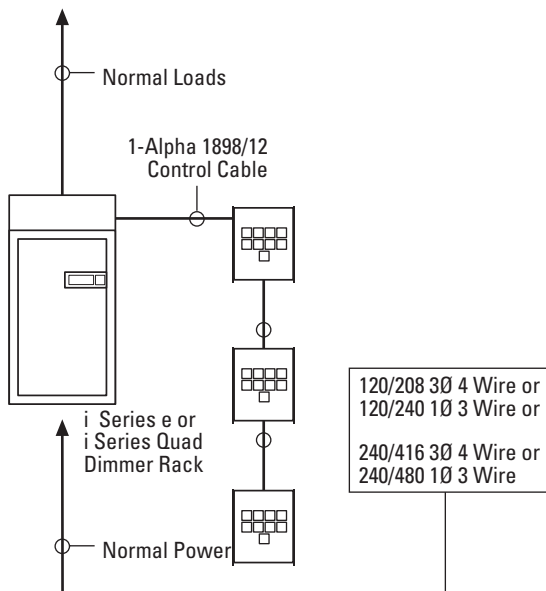
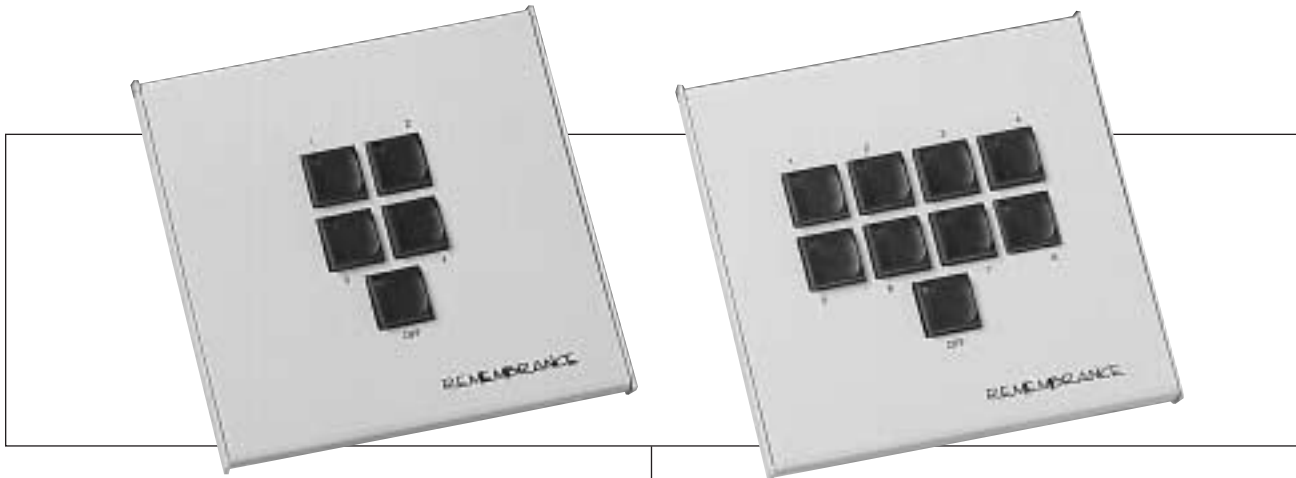


Remembrance Analog Preset Control Station

**8-1024
to 8-1028**



FEATURES

- Simple, powerful local preset storage and recall of 4 or 8 scenes with programmable fade times when used with an i Series e or i Series Quad dimmer rack
- Virtually limitless dimmer channel capacity
- Multiple stations may be installed allowing control from several locations
- Control stations can act independently of each other, or together as a group
- Take control feature
- Selectable emergency power up mode feature - Preset 1 active or all off active
- Selectable record lockout
- Direct integration capability with Remembrance Analog and Digital Control Stations
- Discrete digital control of 4 or 8 presets

Dimensional Data – in. [cm]

	Width	Height	Depth
4 Channel Scene	4.75 [12.07]	4.5 [11.43]	3.5 [8.89]
8 Channel Scene	4.75 [12.07]	4.5 [11.43]	3.5 [8.89]

Remembrance Analog Preset Control Station

Remembrance Analog Preset Control Station

**8-1024
to 8-1028**

Mechanical

- The control faceplate shall be constructed of formed steel painted white.
- Silk screen legends on faceplate shall be black. Preset selection buttons shall be black with green LED indicators. Off preset button shall contain a bi-colored LED for indicating various operating modes.
- The control station is 4-3/4" wide by 4-1/2" tall. The station mounts in a standard NEMA 2 gang 3-1/2" deep back box. Mud ring box installation is not recommended.

Electrical

- Push-button. Control station shall contain 4 or 8 preset buttons with an integral LED, and a separate OFF button with an integral bi-colored LED. Control stations can be wired to act independently of each other, or together as a group.
- Wiring. 4 preset control station wiring requires Alpha 1898/8 or equivalent connected between the i Series e or i Series Quad dimmer rack and control station. 8 preset control station wiring requires Alpha 1898/12 or equivalent connected between the i Series e or i Series Quad dimmer rack and the control station.

Operational

- Recall. The control station shall have the ability to activate a timed preset at the press of a single button. The corresponding LED will then illuminate.
- Record. When connected to an I Series e or I Series Quad, the control station shall have the ability to store the active DMX scene simply by pressing and holding the OFF button until the active scene lighting levels dip by 50%, and then while still holding the OFF button, pressing the preset button where the scene is to be stored. Presets shall be stored in non-volatile memory.
- Capacity. The control station shall have the ability to control a virtually limitless number of dimmer channels when used inconjunction with I Series e, I Series Quad or Remembrance Digital Control Stations.
- Record Lockout. The control station can be configured to either record and recall or just recall presets.
- Power Up State. The control station can be configured to active Preset 1 on power up, or activate OFF on power up.

Description

Cat. No.

4 Preset with OFF; 2 Gang
NEMA box; Alpha 1898/8 8-1024

8 Preset with OFF; 2 Gang
NEMA box; Alpha 1898/12 8-1028

Specifications subject to change without notice