



## PAR 38

### Model # L1700

#### STURDY STEEL CONSTRUCTION

- Three sided colour gel frame brackets
- Colour frame safety spring
- Multi-purpose non-focusing fixture
- Well ventilated
- Wide choice of lamps  
for varying beam requirements
- Colour frame included
- Durable powder paint finish
- C.S.A. NRTL/C approved

#### Applications:

- Concerts
- Television Studios
- Architectural
- Nightclubs
- Film productions



#### Specifications:

The unit is a 250w PAR 38 holder to accommodate a wide range of lamps. The housing is constructed of 22 gauge and 20 gauge steel. The main body and spun rear cap are formed and properly ventilated for cool operation.

- Standard black finish
- Custom colours available
- Barn doors optional
- C-clamp optional

Rating: 120/240 Volts A.C. or D.C.

2 Amps Max. 250 Watts

Cable: 8 feet of #18/3 SJT. c/w U-ground plug

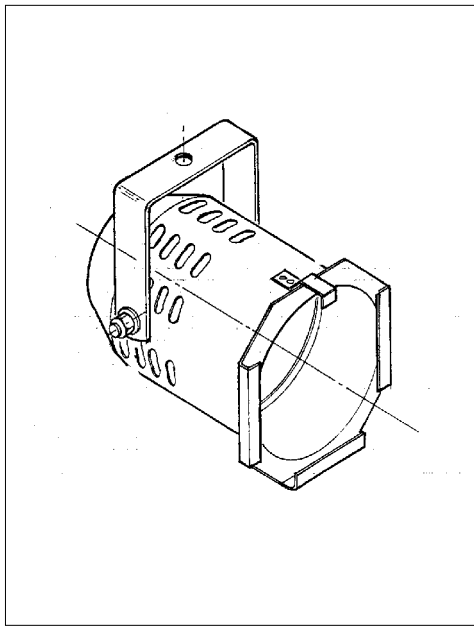
Socket: Porcelain medium screw base

Weight: 2.7 Kg., 5 Lbs.

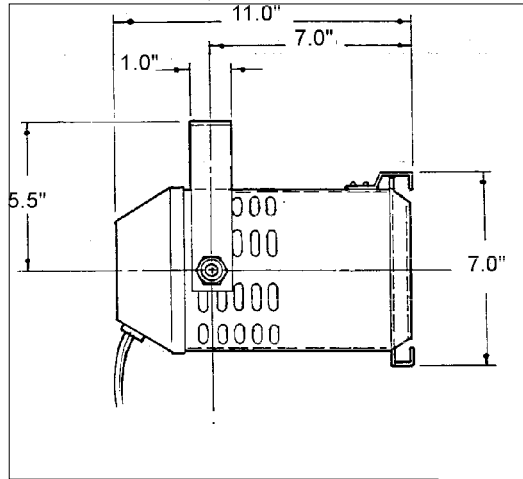
SECTION

2.2

**MODEL # L1700**

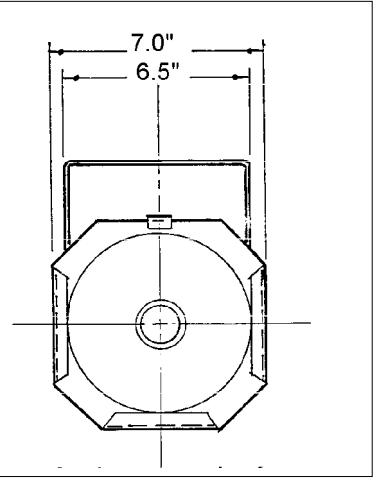


PAR 38/R40



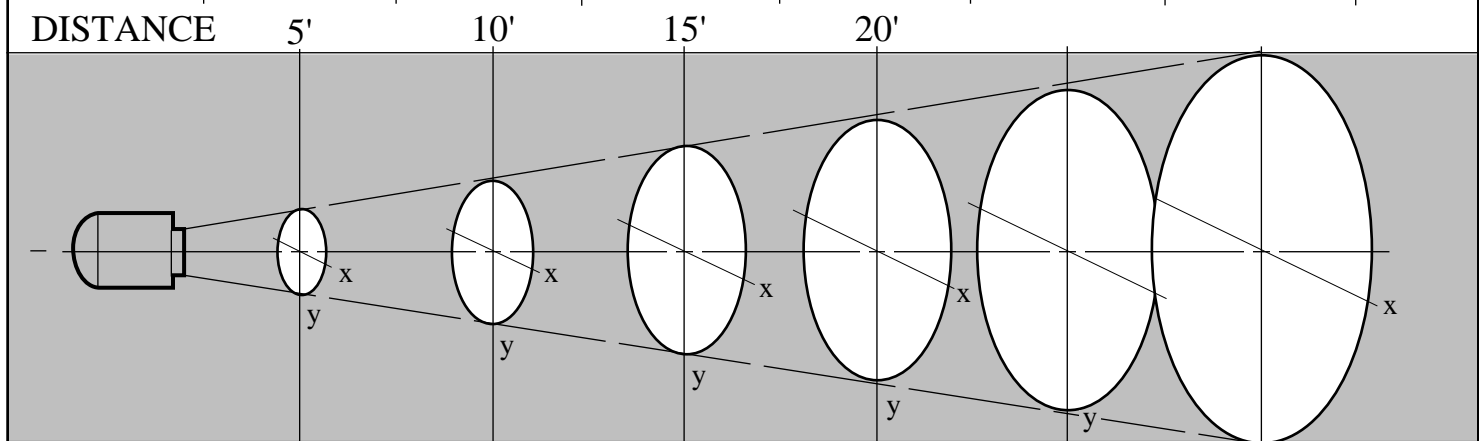
SIDE VIEW

FRONT VIEW



**BEAM PATTERN**

LAMP	∅ A	∅ B	∅ C	∅ D	∅ E	∅ F	COLOUR TEMP.
120 Par 38 SP	3.0	6.1	8.2	11			2725K
120 Par 38 FL	5.9	11.8	17.2	23			2725K



LAMP	F.C. A	F.C. B	F.C. C	F.C. D	F.C. E	F.C. F	TYPE
120 Par38 SP	365	92	43	25			2725 K
120 Par 38 FL	140	34	16	9			2725 K



760 Bayview Drive, Barrie, Ontario L4N 9A6 Tel:(705)739-7886 Fax:(705)739-1067  
 Toll Free:1-877-MCLIGHT (625-4448) E-mail:mcl@mclights.com Web:http://www.mclights.com

Moving at the speed of light...