

SELECON PRODUCT DATA SHEET

Pacific 12 - 28 ZOOMSPOT



Base down 575 / 750 / 1000W axial ellipsoidal delivers "cool" beam of light in a beam range adjustable between 12 to 28 degrees. The beam is a crisp "white" light with little or no distortion, ideal for pattern projection and precise beam shaping. Energy efficient fixture with active heat management system delivers longer life for filters, shutters etc and lower energy consumption.

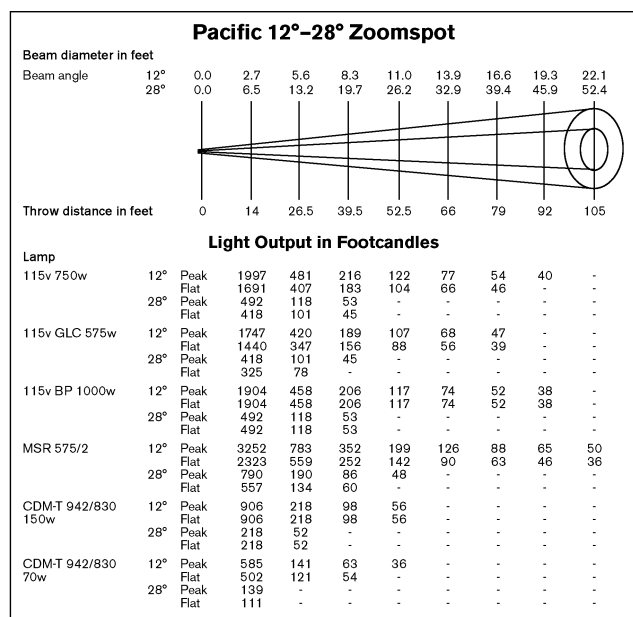
Fully featured fixture constructed from aluminum pressure die castings and injection moulded Fortron plastic components.

FEATURES

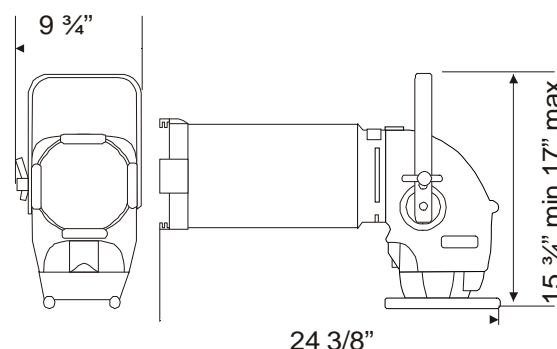
- Compact 12-28 degree fixture only 2 feet long.
- Cool light 'white' light. Over 80% of the heat is removed from the light beam by cold mirror and dissipated through the heatsink.
- Base down lamp mounted axially in the reflector to maximize light collection.
- Choice of 575W; 750W or 1000W; MSR 575W; 70/150W CDM / CMH lamp modules.
- Accurate, simple & cool to use, lamp peak / flat adjustment.
- Two pattern / iris mounting positions.
- Rotatable lens tube.
- Automatic disconnection of power on removal of lamp module. ETL / cETL listed to UL 1573.
- Height adjustable yoke.

PHOTOMETRIC DATA

Tests conducted using standard available lamp types



PHYSICAL DATA



Weight: 21lbs
 Carton Size: 25 1/2" x 15 3/4" x 10 5/8"
 Color Frame Size: 7 3/8" x 7 3/8"
 Gobo Size: M Size, 2" diameter image
 Gobo Holder Width: 4 3/4"
 Included: 1 x color frame, 1x heat sink guard, 1 x suspension bolt set, instruction sheet.

ORDER CODES & ACCESSORIES

Pacific 12-28 Zoomspot, 575W, 750W 18PAC1228/6
 Pacific 12-28 Zoomspot, 1000W 18PAC1228/1
 Pacific 12-28 Zoomspot Hot Restrike
 575W MSR lamp module 18PACMSR1228HR
 Pacific 12-28 Zoomspot, CDM 150W/70W lamp module
 18PACCDM1228
 Pacific Gobo Holder, M size 19PACGHM
 Pacific Iris 20IRIS
 Lens Safety Mesh 19PACSM1228
 Suspension Hookclamp 20HC

LAMPS

115V GLC 575W, 15,500 lumens, 400 hours average life
 115V GLA 575W, 13,500 lumens, 1500 hours average life
 115V GLD 750W, 18,600 lumens, 400 hours average life
 115V GLE 750W, 1500 hours average life
 115V GAC 1000W Blue Pinch, 27,000 lumens,
 250 hours average life

Selecon reserves the right to change the specifications without notice (07/03)

SELECON, THE ONLY MANUFACTURER TO OFFER A LIMITED THREE YEAR WARRANTY
 ON ENTERTAINMENT PRODUCTS

www.seleconlight.com/english/support/warranty.html